

CPE/ CO Solution F.O.M. Series FMUX04



Fiber Optical E1/ T1 Multiplexer

The FMUX04 is a multiplexer for four (4) E1 or T1 (selectable) transmissions over a single fiber optic link. Its half-rack format makes it ideal for low cost multiplexing applications that require up to four (4) channels. All channels provide completely transparent transmission of E1 or T1 regardless of frame mode, clock source or timeslot assignment. Available in either AC or DC models, the AC supplies operate from 100-240VAC while DC supplies operate from 18-72VDC. Additional options include "Order Wire" phone connection (FXS port) and an SNMP option.

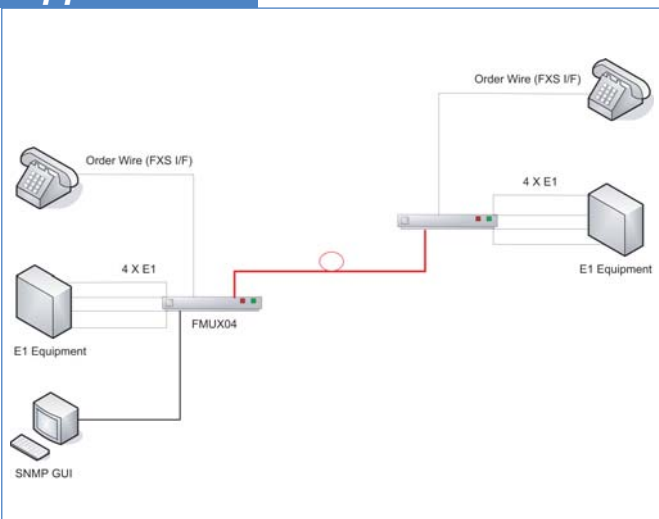
Features

- Standalone unit (1U, 1.75"). An optional mounting kit is available for single or side-by-side mounting in a 19" rack
- Channel service setting and remote loop-back setting via front panel DIP switch
- Far End Fault (FEF) on fiber link, selectable
- On-line Bit Error Rate monitor feature with four error-rate classes
- Provides 2 color based LEDs for clear indication
- Provides one optional dedicated order wire phone port, (FXS, RJ-11 port)
- Provides one supervisory port (DB9 connector) for ASCII terminal and one alarm relay contact
- SNMP management (Optional) with additional support for Telnet or Web based local or remote configuration
- Single mode or multimode fiber link distance up to 120Km depending on ordered model
- Supports M/M or S/M with ST, SC, FC, LC, or WDM(SC)
- System BER $\leq 10^{-11}$

Specifications

Console interface	Interface	RS-232D (RJ-45) Asynchronous
	Bit rate	19200,8,N,1
Power	AC	90 — 260 VAC
	DC	20 — 60 VDC
Environment	Temperature	0 — 55°C (Operating); 0 — 70°C (Storage)
	Humidity	10 — 95% non
Power Consumption	20W	
LEDs	PWR, Optical 1 (for optical signal and link status) Minor & Major Alarms, Far End & Near End Error System Failure, E1 & T1 (for signal status)	
Dimensions(WxDxH)	195mm x 45mm x 255 mm	
Weight	850g	
System	$\leq 10^{-11}$	
Performance(BER)		
Alarm	Single relay contact	
MTBF	57,350 hours	
Compliance	FCC, Part 15, Sub B (Class A) European standard EN55022: 1994/A1 : 1995/A2 : 1997 Class A, EN61000-3-2:1995, EN61000-3-3:1995 and EN50082-1:1997	

Application



Ordering Info

FMUX04-XX/	XX	XXX
Power Type	Connector Type	Distance Connectivity
AC	SC	002: 2km
DC	ST	030: 30km
	FC	050: 50km
080: 80km		
120: 120km		
20A: 20km		
20B: 20km		
40A: 40km		
LC	40B: 40km	
	60A: 60km	
	60B: 60km	

- *020A must be coupled with 020B
- *040A must be coupled with 040B
- *060A must be coupled with 060B

Individual Purchase	
FMUX04-Phone	Optional Phone (FXS)
FMUX04-SNMP	Optional SNMP agent

Interface Module

E1 Interface Mode

Standards	ITU-T G.703, G.736, G.775, G.823
Ports	4 ports
Framing	Transparent (clear channel)
Data rate	2.048 Mbps
Line code	HDB3/ AMI
Receive Level	-43dB
Line impedance	75 ohms $\pm 5\%$ / 120 ohms $\pm 5\%$
Connector	RJ-45 for 120 ohms BNC for 75 ohms
Pulse amplitude	Nominal 2.37V $\pm 10\%$ for 75 ohms Nominal 3.00V $\pm 10\%$ for 120 ohms
Zero amplitude	$\pm 0.1V$

T1 Interface Mode

Standards	ITU-T G.703, G.736, G.775, G.823
Ports	4 ports
Framing	Transparent (clear channel)
Data rate	1.544 Mbps
Line code	B8ZS/ AMI
Receive Level	-36dB
Line impedance	100 ohms $\pm 5\%$
Connector	RJ-45 for 120 ohms
Pulse amplitude	Nominal 3.00V $\pm 20\%$
Zero amplitude	$\pm 0.1V$

