

G.703/64K Series G703/64-RM



G.703/64K to Data Port Concentrator

The G703/64-RM is a Rack Type ITU-T G.703/64K Interface Converter for network access which is nested in a shelf and provides an economic solution for central site operators. There are 13 slots available for G703/64-RM cards for installation into the G703/64-RM rack. An optional SNMP card can be installed into the last slot for configuration and management. The SNMP card provides both local control via an RS-232 craft port and remote management using industry standard SNMP protocol via an Ethernet 10Base-T connection. The G703/64-RM allows full conversion between

G.703 64Kbps services and a number of Data Port Interfaces including ITU-T V.35, X.21, RS-530, RS-449 and EIA RS-232. This model features full compliance with all the relevant ITU & EIA standards under 64Kbps network environments with high reliability and may be used widely in the ISDN, DDN, and Packet Switching Networks. The G703/64-RM is also useful for data terminals which access PCM, 64Kbps digital channels, as well as digital microwave channels. Additionally, the G703/64-RM may be connected to Satellite Communication Channels such as SPAR series.

Features

- All Interface and connectors are on the Rear Panel
- Central HUB Solution in a Standard 19" Rack
- Console port allows terminal to setup and monitor operation locally. (available W/SNMP option)
- Data Port provides 10 bit FIFO
- Diagnostics: local and remote analog and local digital loopback
- Fully transparent signal conversion
- High density & compact design in a 4U high rack
- Hot Swapping of cards supported
- LED Line status display on each card
- Optional power card for power sharing
- Optional SNMP network management system card
- Selectable timing modes: recovery, transparent, dataport or internal OSC
- Supports Interface for V.35, X.21, RS-530, RS-449 and RS-232
- Up to 13 cards can be installed

Specifications

ITU-T G.703 64K I/F Specifications

Line	4 wires, 0.5 -0.7mm twisted pair cable
Line code	64Kbps codirectional
Type	Codirectional/64Kbps
Framing	Unframed only
Connector	Wire-wrap and RJ-45 connector
Impedance	120 Ohms
Pulse amplitude	Nominal 1.0V ±10%
Zero amplitude	0V±0.1V
Clock frequency	64KHz
Freq. Tracking	±100ppm
Compliance	ITU-T G.703 and G.823

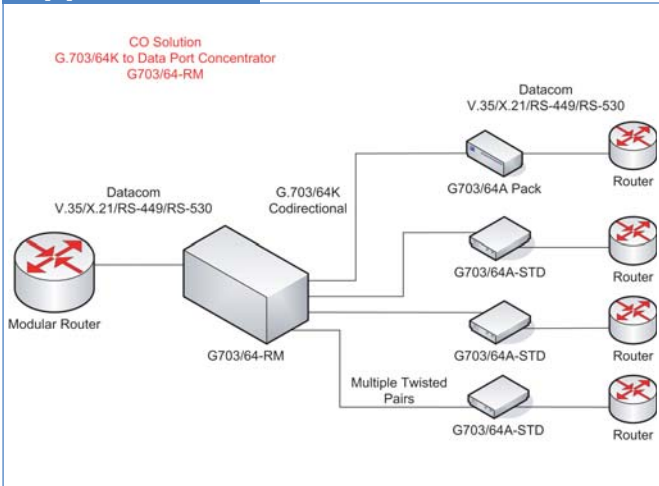
User Data Channel Specification

Interface types	RS-530/ RS-449/ RS-232/ X.21/ V.35
Connector	High density DB26 Female
Line code	NRZ (except bridge)
Data Rate	64Kbps
Time slot allocation	User defined
Control signals	CTS constantly ON DSR constantly ON, except during test loops DCD constantly ON or follows RTS, except during signal loss
Alarm LED	Sync Loss, Signal Loss, Alarm (AIS, MRAI, RAI), TD, RD, Error, Test.
Loopback	Local analog, local digital, remote loopback
Clock modes	Clock mode 0 (DCE1) Clock mode 1 (DCE2) Clock mode 2 (DTE1) Clock mode 3 (DTE2)

General Specification

Craft port	RS-232, DB9F: 19200, 8, N,1	
Power	AC	90 — 250VAC
	DC	-42 — -55VDC, 50 — 60Hz
Environment	Temperature	0 — 60°C (Operating); 0 — 70°C (Storage)
	Humidity	0 — 90% non condensing
Power Consumption	80W	
LEDs	Sync Loss, Signal Loss, Alarm (AIS, MRAI, RAI), TD, RD, Error, Test	
Dimensions(WxDxH)	285mm x 438mm x 180mm	
Weight	6.6Kg (Chassis +1 power card)250g (Per line card)	

Application



Ordering Info



G703/64-RM-SNMP

Optional Networking Management Module	
G703/64-RM-SNMP	SNMP plug-in card with both interface: RS-232 and 10Base-T



G703/64-RM-Serial

Optical Card for G703/64-RM (without optical adapter cables)	
G703/64-RM-Serial	G.703/64K Line card (common)

Master Unit : Rack Mount G703/64-RM Chassis	
G703/64-RM-CH	19 inch, 4U rack mount chassis for AC power
G703/64-RM-CH	19 inch, 4U rack mount chassis for DC power

Optional Power Module for G703/64-RM	
RM01/AC	AC power plug-in module
RM01/DC	DC-48V power plug-in module

Optional Cable (Non-included item)		
CAB-HD26MB34M-V35	V.35 adapter cable	HD26 male to MB34 male, 2 meter
CAB-HD26MB34F-V35	V.35 adapter cable	HD26 male to MB34 female, 2 meter
CAB-HD26RJ45F-ET10	Ethernet adapter	HD26 male to RJ-45 female
CAB-HD26DB15M-X21	X.21 adapter cable	HD26 male to DB15 male, 2 meter
CAB-HD26DB15F-X21	X.21 adapter cable	HD26 male to DB15 female, 2 meter
CAB-HD26DB37M-449	RS-449 adapter cable	HD26 male to DB37 male, 2 meter
CAB-HD26DB37F-449	RS-449 adapter cable	HD26 male to DB37 female, 2 meter
CAB-HD26DB25M-530	RS-530 adapter cable	HD26 male to DB25 male, 2 meter
CAB-HD26DB25F-530	RS-530 adapter cable	HD26 male to DB25 female, 2 meter
CAB-HD26DB25M-232	RS-232 adapter cable	HD26 male to DB25 male, 2 meter
CAB-HD26DB25F-232	RS-232 adapter cable	HD26 male to DB25 female, 2 meter