

## Network Camera Family

### Dual Stream Network Camera



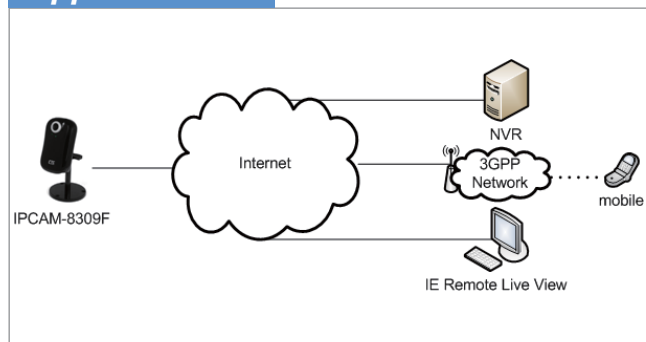
# IPCAM-8309F

The IPCAM-8309F provides the best image quality in the low light conditions with excellent performance. IPCAM-8309F offers full VGA resolution for low-cost indoor surveillance applications. The camera also provides the best bandwidth efficiency with simultaneous MPEG-4 and Motion JPEG streams. The built-in microphone enables two-way audio application for remote users. In addition, the IPCAM-8309F supports 3GPP mobile protocol, which enables users to monitor via 3G cell phones or any RTSP (Real Time Streaming Protocol) compatible multimedia software on the go. A complete set of security features includes user access management and HTTPS / SSL encryption.

### Features

- Simultaneous Motion JPEG & MPEG-4 streams up to VGA resolution
- Excellent image quality with up to 30 fps in all resolutions
- Superior low-light performance with automatic night-mode
- Supports two-way audio with built-in microphone
- Optimal synchronization of audio and video
- Supports 3GPP/ISMA (RTSP)
- UPnP for fast and easy Installation
- Free bundled 16 channel surveillance and recording software

### Application



### Specifications

|                      |  |
|----------------------|--|
| Image Sensor         | 1/4" Progressive VGA CMOS<br>Effective pixels 640 x 480  |
| Minimum Illumination | 1 Lux@F2.0   |
| Video Compression    | MPEG4 Part-2, Motion JPEG  |
| Video Adjustment     | Brightness, Contrast, Hue, Saturation,<br>Constant Bit Rate (CBR), Variable Bit Rate (VBR)                       |
| Bit Rate             | 64K ~2Mbps   |
| Video Resolution     | 640 x 480  |
| Frame Rate           | Motion JPEG: Up to 30 fps in all resolutions<br>MPEG-4: Up to 30 fps in all resolutions                          |
| Video Stream         | Simultaneous Motion JPEG and MPEG-4<br>Controllable frame rate and bandwidth<br>3GPP/ISMA RTSP compatible        |
| Digital Zoom         | 10x  |
| Operating System     | Embedded Linux 2.4   |
| Processor and Memory | ARM9 based 32-bit RISC CPU, 32MB RAM, 4MB Flash  |
| Ethernet             | RJ-45 10BaseT/100BaseTX  |
| Audio Streaming      | Two-way  |
| Audio Input          | Built-in microphone  |
| Audio Output         | 3.5 mm line out jack   |
| Audio Compression    | ADPCM 64Kbps   |
| Alarm Trigger        | Motion detection   |
| Alarm Events         | Pre and post alarm buffer<br>File upload via FTP<br>Notification via email                                       |
| Network Protocols    | TCP/IP, DHCP, PPPoE, ARP, ICMP, FTP, SMTP, DNS,<br>NTP, IGMP, UPnP, RTSP, RTP, HTTP, TCP, UDP,<br>3GPP/ISMA RTSP |
| Application Program  | CTCU IP installer (Win32 Application)<br>16 channel recording software (SVP-Express)                             |
| Security             | Password protection, HTTPS encryption, user access log   |
| Operating Condition  | 0~45°C   |
| Operating Humidity   | 20~80% RH (non-condensing)   |
| Power                | DC 5V, 1.2A  |
| Dimensions           | 98 x 58 x 31mm (W x D x H)   |
| Approvals            | CE, FCC, RoHS  |
| Included Accessories | CD with installation and management software,<br>Power supply, Wall-mount bracket                                |

### Ordering Information

- **IPCAM-8309F** Dual Stream Network Camera

# Network Camera Family

## Wireless Dual Stream Network Camera



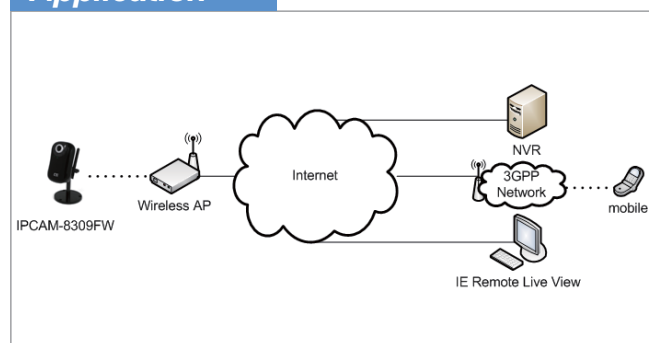
# IPCAM-8309FW

The IPCAM-8309FW provides the best image quality in the low light conditions with excellent performance. IPCAM-8309FW offers full VGA resolution for low-cost indoor surveillance applications. The camera also provides the best bandwidth efficiency with simultaneous MPEG-4 and Motion JPEG streams. The built-in microphone enables two-way audio application for remote users. In addition, the IPCAM-8309FW supports 3GPP mobile protocol, which enables users to monitor via 3G cell phones or any RTSP (Real Time Streaming Protocol) compatible multimedia software on the go. A complete set of security features includes user access management and HTTPS / SSL encryption. The IPCAM-8309FW network camera is supplied with both IEEE 802.11g and Ethernet network interfaces.

### Features

- Simultaneous Motion JPEG & MPEG-4 streams up to VGA resolution
- Excellent image quality with up to 30 fps in all resolutions
- Superior low-light performance with 6 night-vision LEDs
- Wireless IEEE 802.11g and Ethernet for installation
- Supports two-way audio with built-in microphone
- Optimal synchronization of audio and video
- Supports 3GPP/ISMA (RTSP)
- UPnP for fast and easy Installation
- Free bundled 16 channel surveillance and recording software

### Application



### Specifications

|                      |  |
|----------------------|--|
| Image Sensor         | 1/4" Progressive VGA CMOS<br>Effective pixels 640x480  |
| Minimum Illumination | 1 Lux@F2.0   |
| Video Compression    | MPEG4 Part-2, Motion JPEG  |
| Video Adjustment     | Brightness, Contrast, Hue, Saturation,<br>Constant Bit Rate (CBR), Variable Bit Rate (VBR)                       |
| Bit Rate             | 64K ~2Mbps   |
| Video Resolution     | 640 x 480  |
| Frame Rate           | Motion JPEG: Up to 30 fps in all resolutions<br>MPEG-4: Up to 30 fps in all resolutions                          |
| Video Stream         | Simultaneous Motion JPEG and MPEG-4<br>Controllable frame rate and bandwidth<br>3GPP/ISMA RTSP compatible        |
| Digital Zoom         | 10x  |
| LED                  | 6 night-vision LEDs  |
| Operating System     | Linux 2.4  |
| Processor and Memory | ARM9 based 32-bit RISC CPU, 32MB RAM, 4MB Flash  |
| Ethernet             | RJ-45 10BaseT/100BaseTX, Wireless 802.11 b/g Wi-Fi   |
| Audio Streaming      | Two-way  |
| Audio Input          | Built-in microphone  |
| Audio Output         | 3.5 mm line out jack   |
| Audio Compression    | ADPCM 64Kbps   |
| Alarm Trigger        | Motion detection   |
| Alarm Events         | Pre and post alarm buffer<br>File upload via FTP<br>Notification via email                                       |
| Network Protocols    | TCP/IP, DHCP, PPPoE, ARP, ICMP, FTP, SMTP, DNS,<br>NTP, IGMP, UPnP, RTSP, RTP, HTTP, TCP, UDP,<br>3GPP/ISMA RTSP |
| Application Program  | CTCU IP installer (Win32 Application)<br>16 channel recording software (SVP-Express)                             |
| Security             | Password protection, HTTPS encryption, user access log   |
| Operating Condition  | 0~45°C   |
| Operating Humidity   | 20~80% RH (non-condensing)   |
| Power                | DC 5V, 1.2A  |
| Dimensions           | 104 x 63 x 35mm (W x D x H)  |
| Approvals            | CE, FCC, RoHS  |
| Included Accessories | CD with installation and management software,<br>Power supply, Wall-mount bracket                                |

### Ordering Information

- **IPCAM-8309FW** Wireless Dual Stream Network Camera

# Network Camera Family

## Dual Stream Network Dome Camera



### IPCAM-8309D

The IPCAM-8309D is a powerful network dome camera with VGA (640\*480) resolution for professional surveillance and remote monitoring. The integrated Power over Ethernet allows power to be supplied to the camera via the network cable. Additionally, the product offer multi-level password protection and HTTPS / SSL encryption. The IPCAM-8309D also supports 3GPP mobile protocol, which enables users to monitor via 3G cell phones or any RTSP (Real Time Streaming Protocol) compatible multimedia device on the go.

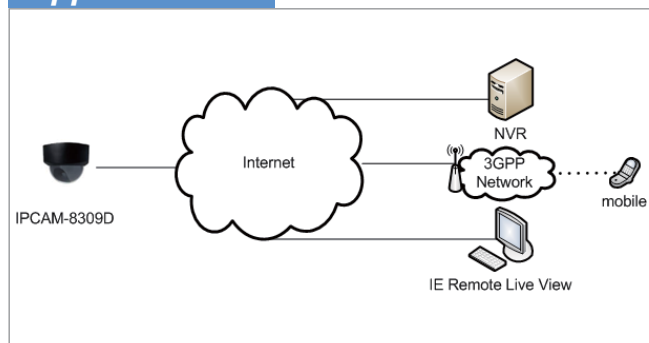
#### Features

- 1/4" progressive scan CMOS sensor
- Simultaneous Motion JPEG & MPEG-4 streams up to 4CIF resolution
- Excellent image quality with up to 30 fps in all resolution
- PoE (Power over Ethernet) enabled device
- Supports two-way Audio
- Digital Input / Output port for external alarm & sensor
- Supports 3GPP/ISMA RTSP
- UPnP for fast and easy Installation
- Free bundled 16 channel surveillance and recording software

#### Specifications

|                          |  |
|--------------------------|--|
| Image Sensor             | 1/4" Progressive VGA CMOS<br>Effective pixels 640x480  |
| Lens                     | 4.0mm, F2.0  |
| Minimum Illumination     | 0.5Lux   |
| Video Compression        | MPEG4, Motion JPEG   |
| Video Adjustment         | Brightness, Contrast, Hue, Saturation,<br>Constant Bit Rate (CBR), Variable Bit Rate (VBR)                       |
| Bit Rate                 | 64K ~2Mbps   |
| Frame Rate               | Motion JPEG: Up to 30 fps in all resolutions<br>MPEG-4: Up to 30 fps in all resolutions                          |
| Video Stream             | Simultaneous Motion JPEG and MPEG-4<br>Controllable frame rate and bandwidth<br>3GPP/ISMA RTSP compatible        |
| Digital Zoom             | 10x  |
| Operating System         | Embedded Linux 2.4   |
| Processor and Memory     | ARM9 based 32-bit RISC CPU, 64MB RAM,<br>8MB Flash   |
| Ethernet                 | RJ-45 10BaseT/100BaseTX PoE  |
| Audio Streaming          | Two-way  |
| Audio Input              | 3.5 mm mic/line in   |
| Audio Output             | 3.5 mm line out jack   |
| Audio Compression        | ADPCM 64Kbps   |
| Terminal Block Connector | 1 alarm input/ 1 relay output  |
| Alarm Trigger            | External input, Motion detection   |
| Alarm Events             | Pre and post alarm buffer<br>File upload via FTP<br>Notification via email<br>External output activation         |
| Network Protocols        | TCP/IP, DHCP, PPPoE, ARP, ICMP, FTP, SMTP,<br>DNS, NTP, IGMP, UPnP, RTSP, RTP, HTTP, TCP,<br>UDP, 3GPP/ISMA RTSP |
| Application Program      | CTCU IP installer (Win32 Application)<br>16 channel recording software (SVP-Express)                             |
| Security                 | Password protection, HTTPS encryption, user access log   |
| Operating Condition      | 0~50°C   |
| Operating Humidity       | 20~80% RH (non-condensing)   |
| Power                    | DC 12V, 1A   |
| Dimensions               | 110 x 130 mm (W x H)   |
| Approvals                | CE, FCC, RoHS  |
| Included Accessories     | CD with installation and management software,<br>Power supply  |

#### Application



#### Ordering Information

- **IPCAM-8309D** Dual Stream Network Dome Camera

# Network Camera Family

## Dual Stream Network IR Camera



# IPCAM-8308IR

The IPCAM-8308IR Day and Night network camera is a high performance camera for professional surveillance and remote monitoring. The IPCAM-8308IR has a 15 meter IR (Infrared) range and is enclosed in a IP66 waterproof housing. With integrated Power over Ethernet, power can be supplied to the camera via the network cable. Additionally, the product offer multi-level password protection and HTTPS encryption.

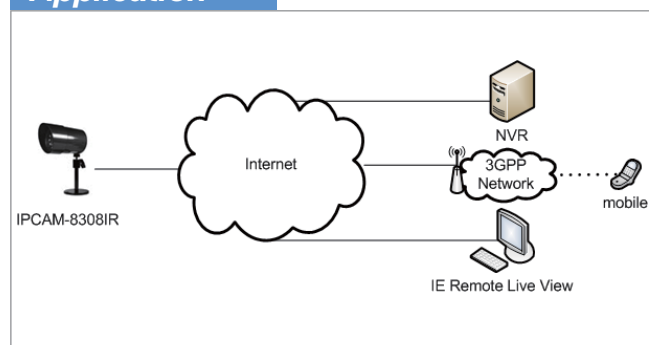
### Features

- 1/4" progressive scan CMOS sensor
- Simultaneous Motion JPEG & MPEG-4 streams up to 4CIF resolution
- Excellent image quality with up to 30 fps in all resolution
- PoE (Power over Ethernet) enabled device
- Supports two-way audio
- IR working distance up to 15M
- IP66 water resistance
- Supports 3GPP/ISMA RTSP
- UPnP for fast and easy Installation
- Free bundled 16 channel surveillance and recording software

### Specifications

|                          |  |
|--------------------------|--|
| Image Sensor             | 1/4" Progressive VGA CMOS<br>Effective pixels 640x480  |
| Lens                     | 4.3mm, F2.0  |
| Video Compression        | MPEG4, Motion JPEG   |
| Video Adjustment         | Brightness, Contrast, Hue, Saturation,<br>Constant Bit Rate (CBR), Variable Bit Rate (VBR)                       |
| Bit Rate                 | 64K ~2Mbps   |
| Frame Rate               | Motion JPEG: Up to 30 fps in all resolutions<br>MPEG-4: Up to 30 fps in all resolutions                          |
| Video Stream             | Simultaneous Motion JPEG and MPEG-4<br>Controllable frame rate and bandwidth<br>3GPP/ISMA RTSP compatible        |
| Digital Zoom             | 10x  |
| IR LED                   | 24, 850nm LEDs   |
| IR working Distance      | 15M  |
| Operating System         | Embedded Linux 2.4   |
| Processor and Memory     | ARM9 based 32-bit RISC CPU, 64MB RAM, 8MB Flash  |
| Ethernet                 | RJ-45 10BaseT/100BaseTX PoE  |
| Audio Streaming          | Two-way  |
| Audio Input              | 3.5 mm mic/line in   |
| Audio Output             | 3.5 mm line out jack   |
| Audio Compression        | ADPCM 64Kbps   |
| Terminal Block Connector | 1 alarm input/ 1 relay output  |
| Alarm Trigger            | External input, Motion detection   |
| Alarm Events             | Pre and post alarm buffer<br>File upload via FTP<br>Notification via email<br>External output activation         |
| Network Protocols        | TCP/IP, DHCP, PPPoE, ARP, ICMP, FTP, SMTP, DNS,<br>NTP, IGMP, UPnP, RTSP, RTP, HTTP, TCP, UDP,<br>3GPP/ISMA RTSP |
| Application Program      | CTCU IP installer (Win32 Application)<br>16 channel recording software (SVP-Express)                             |
| Security                 | Password protection, HTTPS encryption, user access log   |
| Operating Condition      | 0~50°C   |
| Operating Humidity       | 20~80% RH (non-condensing)   |
| Power                    | DC 12V, 1A   |
| Dimensions               | 99 x 73 mm (W x H)   |
| Approvals                | CE, FCC, RoHS  |
| Included Accessories     | CD with installation and management software,<br>Power supply, Wall-mount bracket                                |

### Application



### Ordering Information

- **IPCAM-8308IR** Dual Stream Network IR Camera

## Network Camera Family

### Dual Stream Network IR Camera



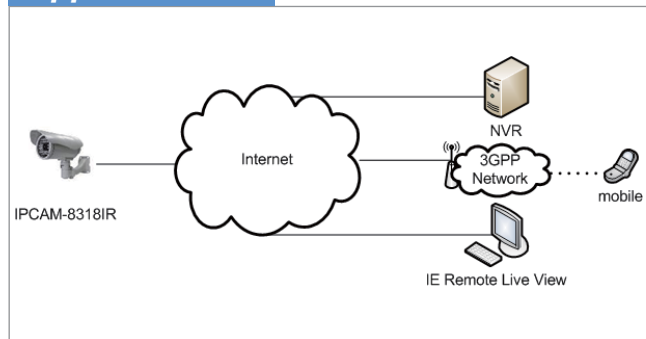
# IPCAM-8318IR

The IPCAM-8318IR Day and Night network camera is a high performance CCD camera for professional surveillance and remote monitoring. The IPCAM-8308IR has a 35 meter IR (Infrared) reach and is enclosed in an IP66 waterproof housing. With integrated Power over Ethernet, power can be supplied to the camera via the network cable. Additionally, the product offer multi-level password protection and HTTPS encryption.

### Features

- 1/3" Sony Super HAD high resolution CCD sensor (520TVL)
- Simultaneous Motion JPEG & MPEG-4 streams up to 4CIF resolution
- Excellent image quality with up to 30 fps in all resolutions
- PoE (Power over Ethernet) enabled device
- Supports two-way audio
- IR working distance up to 35M
- IP66 water resistance
- Supports 3GPP/ISMA RTSP
- UPnP for fast and easy installation
- Free bundled 16 channel surveillance and recording software

### Application



### Specifications

|                       |  |
|-----------------------|--|
| Image Sensor          | 1/3" Sony SuperHAD CCD<br>Effective pixels 640x480   |
| Lens                  | 16 mm, F2.0  |
| Minimum Illumination  | 0.3 Lux, F2.0; 0 Lux LED on  |
| Horizontal Resolution | 520TVL   |
| S/N Ratio             | > 48dB   |
| Video Output          | 1, BNC, 75ohm, 1.0 Vp-p  |
| Gain Control          | Auto   |
| White Balance         | Auto   |
| Day/Night Function    | Auto   |
| Color Rollingless     | Auto   |
| Shutter Time          | 1/50 (60) ~1/100,000 sec   |
| Video Compression     | MPEG4, Motion JPEG   |
| Video Adjustment      | Brightness, Contrast, Hue, Saturation,<br>Constant Bit Rate (CBR), Variable Bit Rate (VBR)                       |
| Bit Rate              | 64K ~2Mbps   |
| Frame Rate            | Motion JPEG: Up to 30 fps in all resolutions<br>MPEG-4: Up to 30 fps in all resolutions                          |
| Video Stream          | Simultaneous Motion JPEG and MPEG-4<br>Controllable frame rate and bandwidth<br>3GPP/ISMA RTSP compatible        |
| Digital Zoom          | 10x  |
| IR LED                | 36, 850nm LEDs   |
| IR working Distance   | 35M  |
| Operating System      | Linux 2.4  |
| Processor and Memory  | ARM9 based 32-bit RISC CPU, 64MB RAM, 8MB Flash  |
| Ethernet              | RJ-45 10BaseT/100BaseTX PoE  |
| Audio Streaming       | Two-way  |
| Audio Input           | 3.5 mm mic/line in   |
| Audio Output          | 3.5 mm line out jack   |
| Audio Compression     | ADPCM 64Kbps   |
| Alarm Trigger         | Motion detection   |
| Alarm Events          | Pre and post alarm buffer<br>File upload via FTP<br>Notification via email                                       |
| Network Protocols     | TCP/IP, DHCP, PPPoE, ARP, ICMP, FTP, SMTP,<br>DNS, NTP, IGMP, UPnP, RTSP, RTP, HTTP, TCP,<br>UDP, 3GPP/ISMA RTSP |
| Application Program   | CTCU IP installer (Win32 Application)<br>16 channel recording software (SVP-Express)                             |
| Security              | Password protection, HTTPS encryption, user access log   |
| Operating Condition   | 0~50°C   |
| Operating Humidity    | 20~80% RH (non-condensing)   |
| Casing                | Weatherproof casing with IP66  |
| Power                 | DC 12V, 1A   |
| Dimensions            | 265 x 85 mm (W x H)  |
| Approvals             | CE, FCC, RoHS  |
| Included Accessories  | CD with installation and management software, Wall-mount bracket   |

### Ordering Information

- **IPCAM-8318IR** Dual Stream Network IR Camera

# Network Camera Family

## Dual Stream Day&Night Network Camera



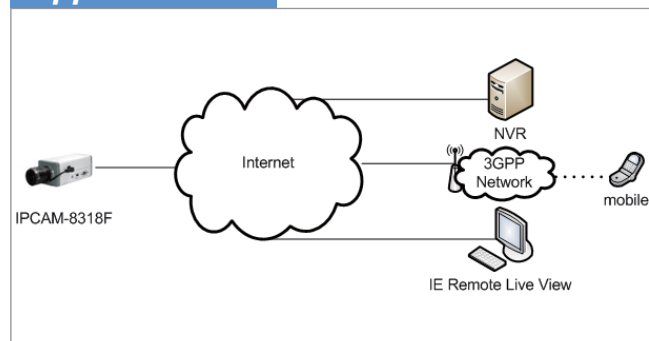
### IPCAM-8318F

The IPCAM-8318F Day and Night network camera is a high performance CCD camera for professional surveillance and remote monitoring. IPCAM-8318F also receives IR light when in low light and reverts to black&white video. With integrated Power over Ethernet, power can be supplied to the camera via the network cable. Additionally, the product offer multi-level password protection and HTTPS encryption.

#### Features

- 1/3" Sony Super HAD CCD (420TVL)
- Simultaneous Motion JPEG & MPEG-4 streams up to 4CIF resolution
- Excellent image quality with up to 30 fps in all resolution
- Supports two-way audio
- Digital I/O for external alarm or sensor
- Supports 3GPP/ISMA RTSP
- PoE (Power over Ethernet) enabled the device
- UPnP for fast and easy installation
- Free bundled 16 channel surveillance and recording software

#### Application



#### Specifications

|                       |  |
|-----------------------|--|
| Image Sensor          | 1/3" Sony SuperHAD CCD<br>Effective pixels 640x480   |
| Minimum Illumination  | 0.3 Lux, F2.0  |
| Horizontal Resolution | 420TVL   |
| S/N Ratio             | > 48dB   |
| Video Output          | 1, BNC, 75ohm, 1.0 Vp-p  |
| Lens Type             | CS-mount   |
| Back Light Control    | Auto   |
| Gain Control          | Auto   |
| White Balance         | Auto   |
| Day/Night Mode        | Color, Black/White   |
| Electronic Shutter    | 1/50 (60) ~1/100,000 sec   |
| Video Compression     | MPEG4, Motion JPEG   |
| Video Adjustment      | Brightness, Contrast, Hue, Saturation,<br>Constant Bit Rate (CBR), Variable Bit Rate (VBR)                       |
| Bit Rate              | 64K ~2Mbps   |
| Frame Rate            | Motion JPEG: Up to 30 fps in all resolutions<br>MPEG-4: Up to 30 fps in all resolutions                          |
| Video Stream          | Simultaneous Motion JPEG and MPEG-4<br>Controllable frame rate and bandwidth<br>3GPP/ISMA RTSP compatible        |
| Digital Zoom          | 10x  |
| Operating System      | Embedded Linux 2.4   |
| Processor and Memory  | ARM9 based 32-bit RISC CPU, 64MB RAM,<br>8MB Flash   |
| Ethernet              | RJ-45 10BaseT/100BaseTX PoE  |
| Audio Streaming       | Two-way  |
| Audio Input           | 3.5 mm mic/line in   |
| Audio Output          | 3.5 mm line out jack   |
| Audio Compression     | ADPCM 64Kbps   |
| Alarm Trigger         | External input, Motion detection   |
| Alarm Events          | Pre and post alarm buffer<br>File upload via FTP<br>Notification via email<br>External output activation         |
| Network Protocols     | TCP/IP, DHCP, PPPoE, ARP, ICMP, FTP, SMTP,<br>DNS, NTP, IGMP, UPnP, RTSP, RTP, HTTP, TCP,<br>UDP, 3GPP/ISMA RTSP |
| Application Program   | CTCU IP installer (Win32 Application)<br>16 channel recording software (SVP-Express)                             |
| Security              | Password protection, HTTPS encryption, user access log   |
| Operating Condition   | 0~50°C   |
| Operating Humidity    | 20~80% RH (non-condensing)   |
| Casing                | Weatherproof casing with IP66  |
| Power                 | DC 12V, 1A   |
| Dimensions            | 265 x 85 mm (W x H)  |
| Approvals             | CE, FCC, RoHS  |
| Included Accessories  | CD with installation and management software,<br>Power supply, Wall-mount bracket                                |

#### Ordering Information

- **IPCAM-8318F** Dual Stream Day&Night Network Camera

# Network Camera Family

## Dual Stream Network High-speed Dome Camera



### IPCAM-8318P

The IPCAM-8318P High-speed Night network dome is a high performance CCD camera for professional surveillance and remote monitoring. The IPCAM-8318P IP speed dome utilizes a 1/4" Sony Super HAD CCD and gives 480TVL high video quality, with 26x optical zooming and optimized distant target focusing. The IPCAM-8318P is enclosed in IP66 waterproof housing. Additionally, the product offers multi-level password protection and HTTPS encryption.

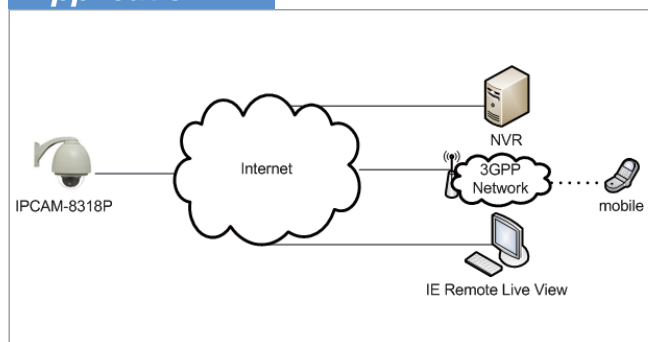
#### Features

- 1/4" Sony Super HAD CCD (480TVL)
- Simultaneous Motion JPEG & MPEG-4 streams up to 4CIF resolution
- Excellent image quality with up to 30 fps in all resolutions
- 26x optical and 10x digital zoom
- IP66 waterproof, designed for outdoor or indoor applications
- Pendant and wall-mount installations for various environments
- Supports 3GPP/ISMA RTSP
- UPnP for fast and easy installation
- Free bundled 16 channel surveillance and recording software

#### Specifications

|                      |  |                               |
|----------------------|--|-------------------------------|
| Image Sensor         | 1/4" Sony Super HAD CCD (480TVL)   |                               |
| Electronic Shutter   | 1/60 (50) ~1/100,000   |                               |
| S/N Ratio            | > 48dB   |                               |
| Zoom                 | 26x optical and 10x digital, total 260x  |                               |
| Lens                 | F1.6~3.8   | f=3.5~91mm                    |
| Minimum Illumination | 2.5 Lux at F1.6, 0.07 Lux at F1.6 (Slow shutter)   |                               |
| Pan Range            | 360 degrees endless  |                               |
| Tilt Range           | 0~180 degrees  |                               |
| Video Output         | 1, BNC, 75ohm, 1.0Vp-p   |                               |
| Video Compression    | MPEG4 Simple Profile, Motion JPEG  |                               |
| Video Resolutions    | 4CIF   | NTSC=704 x 480, PAL=704 x 576 |
|                      | CIF  | NTSC=352 x 240, PAL=352 x 288 |
|                      | QCIF   | NTSC=176 x 120, PAL=176 x 144 |
| Bit Rate             | 64K ~2M bits/sec   |                               |
| Video Adjustment     | Brightness, Contrast, Hue, Saturation, Constant Bit Rate (CBR), Variable Bit Rate (VBR)                    |                               |
| Camera Control       | Support 32 preset position   |                               |
| Waterproof           | IP66   |                               |
| Operating System     | Embedded Linux 2.4   |                               |
| Processor and Memory | ARM9 based 32-bit RISC CPU, 64MB RAM, 8MB Flash  |                               |
| Ethernet             | RJ-45 10BaseT/100BaseTX  |                               |
| Alarm Trigger        | External input, Motion detection   |                               |
| Alarm Events         | Pre and post alarm buffer<br>File upload via FTP<br>Notification via email<br>External output activation   |                               |
| Network Protocols    | TCP/IP, DHCP, PPPoE, ARP, ICMP, FTP, SMTP, DNS, HTTP, NTP, IGMP, UPnP, RTSP, RTP, TCP, UDP, 3GPP/ISMA RTSP |                               |
| Application Program  | CTCU IP installer (Win32 Application)<br>16 channel recording software (SVP-Express)                       |                               |
| Security             | Password protection, HTTPS encryption, user access log   |                               |
| Dimensions           | 150 x 262mm (D x H)  |                               |
| Operating Condition  | -10~50°C   |                               |
| Storage Condition    | 0~70°C   |                               |
| Operating Humidity   | 20~80% RH (non-condensing)   |                               |
| Power                | AC 24V   |                               |
| Power Consumption    | Max: 13W   |                               |
| Included Accessories | CD with installation and management software, Power supply   |                               |

#### Application



#### Ordering Information

- **IPCAM-8318P** Dual Stream Network High-speed Dome Camera